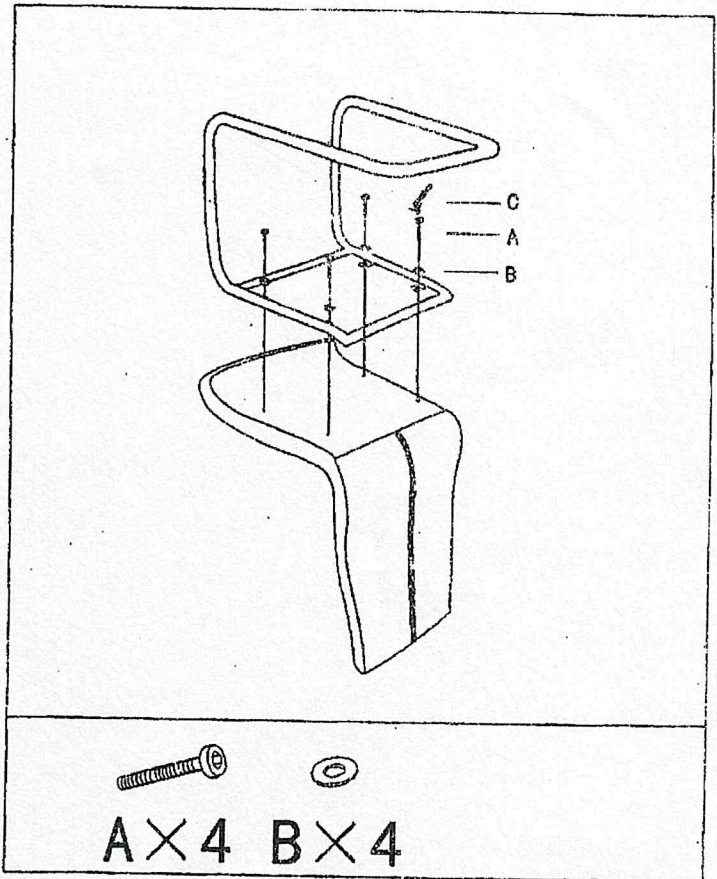
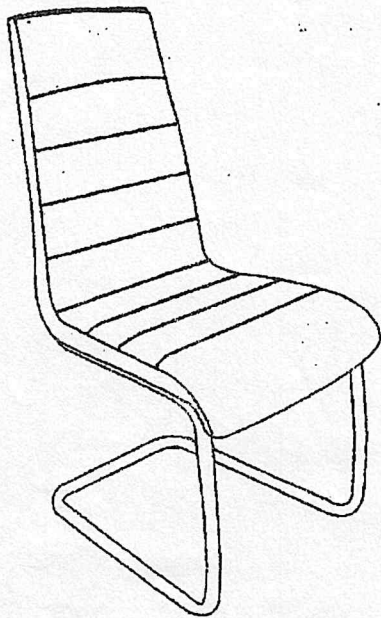


# ASSEMBLY INSTRUCTIONS FOR DINING CHAIR

MODEL NO. : NC-79



## COMPONENTS:

